

**Shivaji University,  
Vidyanagar, Kolhapur- 416004**

**Department: - School of Nanoscience and  
Biotechnology**

Dept. Outward No. SU/SNST/449

Date: 08/02/2025

To, -----

Subject: Request to send the quotations for **Laboratory Tables with Granite Top**

Dear Sir/Madam,

The School of Nanoscience and Biotechnology department would like to purchase two types of **Laboratory Tables with Granite Top** for the Physics Laboratory as per the following specifications.

Sr. No.	Name of article	DESCRIPTION	QTY
1.	<b>Lab Table - A : 3 Feet Width Laboratory Table with Granite Top</b>	<ul style="list-style-type: none"><li>• Size of Table: 1220L x 915D x 762H mm (<math>\pm 10</math>mm)</li><li>• Main Top: Minimum 18mm thick Granite Marble.</li><li>• Table Frame of 25x25mm with minimum 1.6mm thickness, powder coated MS Square ERW Tube.</li><li>• 1 Drawer Unit.</li><li>• Drawer cum Locker Unit and Side Cover of 18swg thick CRCA Sheet.</li><li>• Good quality PVC Shoes at the bottom.</li><li>• All steel parts of powder coated with Standard quality powder and 10 tanks of anti-rust treatment process.</li><li>• Colour: Off White or Sky Blue or Aero</li></ul>	<b>03</b>
2.	<b>Lab Table - B : 2.5 Feet Width Laboratory Table with Granite Top</b>	<ul style="list-style-type: none"><li>• Size of Table: 1220L x 762D x 762H mm (<math>\pm 10</math>mm)</li><li>• Main Top: Minimum 18mm thick Granite Marble.</li><li>• Table Frame of 25x25mm with minimum 1.6mm thickness, powder coated MS Square ERW Tube.</li><li>• 1 Drawer Unit.</li><li>• Drawer cum Locker Unit and Side Cover of 18swg thick CRCA Sheet.</li><li>• Good quality PVC Shoes at the bottom.</li><li>• All steel parts of powder coated with Standard quality powder and 10 tanks of anti-rust treatment process.</li><li>• Colour: Off White or Sky Blue or Aero</li></ul>	<b>03</b>
	Includes Transportation, Installation and Commissioning		
	Material with ONE year warrantee from the date of commission		

So, kindly request you to send the quotations for above **Laboratory Tables with Granite Top** as per the specifications and Layout of Tables attached herewith including supply, installation, commissioning, and other charges up to date 18/02/2025. Quotation Cover must be sealed and superscripted "Quotation for Laboratory Tables with Granite Top" and bear the address of Director, School of Nanoscience and Biotechnology, Shivaji University, Kolhapur.  
Thanking you.

Yours Faithfully,



I/C Director

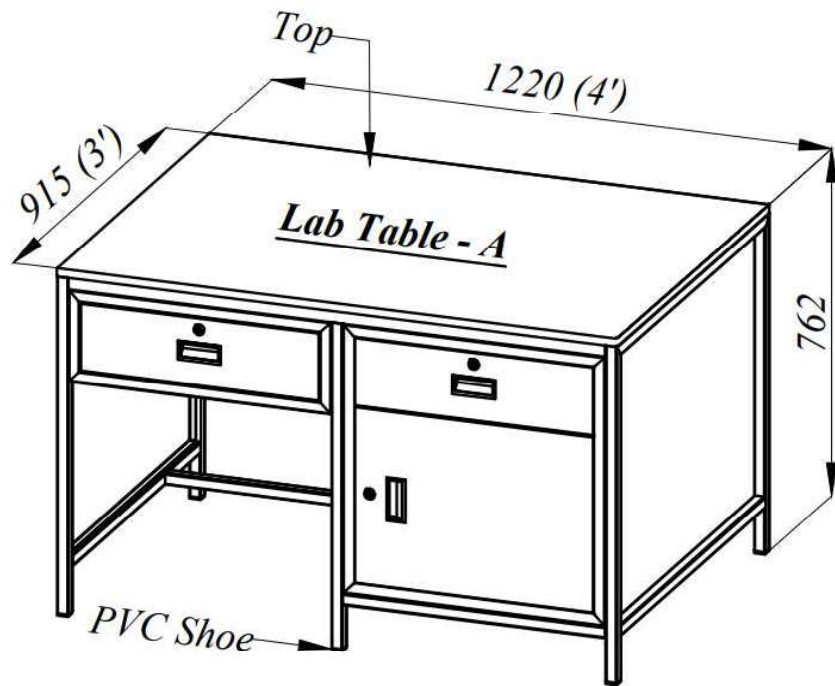
**Prof. (Dr.) K. K. Sharma**

**I/C. Director,**

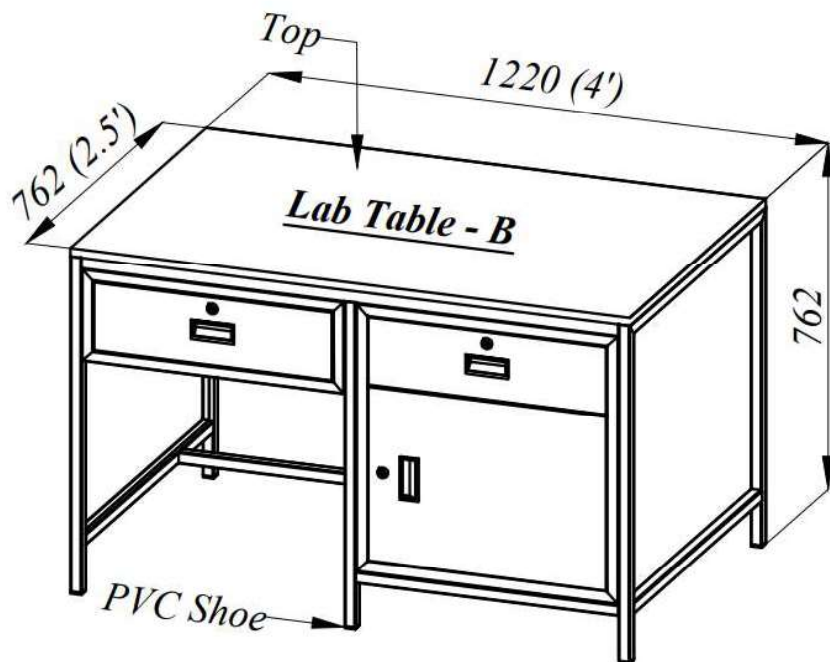
**School of Nanoscience & Biotechnology...**

**Shivaji University, Kolhapur-416 004**

## Layout of Laboratory Tables with Granite Top



Lab Table - A : 3 Feet Width Laboratory Table with Granite Top



Lab Table - B : 2.5 Feet Width Laboratory Table with Granite Top

## TERMS AND CONDITIONS

- 1) While indicating the make of a product, the name of the manufacturer may be specified to enable us to consider your offer and expedite orders. Supplies are to be made in the manufacturer's pickings only; your quotation should accordingly be adjusted to the nearest size of the original packing of the manufacturers.
- 2) The price quoted may be as indicated below in clause (a) for Outstation firms and (b) for local firms.
  - a) F.O.R. Destination/dispatching station by goods/passenger train.
  - b) For free delivery at the **School of Nanoscience and Biotechnology, Shivaji University Kolhapur 416004.**
- 3) Your rates are assumed to include packing and forwarding charges unless separately stated. The goods should be insured against theft, loss, or breakage during transit and insurance charges should not exceed 3% of the cost of materials supplied.
- 4) The rate of sales Tax, GST, CST, and excise duty may be indicated wherever chargeable, in the absence of which it will be deemed that no taxes are payable by us.
- 5) A.P Form for sales Tax concession will be sent to you after execution of the order for claiming concession in payment of sales Tax in the Maharashtra state.
- 6)
  - a) Specific information is required as to whether the items have been offered ex-stock or will have to be imported, as well as how much time will be required for delivery after placing the order.
  - b) Your offer should be kept open for at least 2 months from the date of opening of the Quotation/Tender.
- 7) Each quotation is to be submitted in the form of TWO envelops. That is the **Technical bid documents and the financial bid document should be enclosed in separate envelops.** The outer cover must be sealed and superscripted "**Quotation for Laboratory Tables with Granite Top**" Your No. -----, Date ----- closing **date 18/02/2025.** on the both envelops the address of the **Director** of the **School of Nanoscience and Biotechnology** Also the **Name, Address and contact number of vendor** should be mentioned.
- 8) Offers made on conditions like "subjects to prior sale" Subject to availability of stores" taxes as applicable' or with similar other vague conditions are liable to be ignored.
- 9) In the case of a supply order for scientific equipment/apparatus/Glassware/Chemicals, the date of delivery should be strictly adhered to; otherwise, the supply order is liable to be canceled.
- 10) On receipt of notification of award from the University, the vendor shall furnish the performance security at 3% of the cost of the instrument to be ordered in the form of DD in favor of the Finance and Account Officer, Shivaji University, Kolhapur or in the form of Bank Guarantee or in another form which will be acceptable to the University.